

Copper Tube Guitar Stand  
 Chris Taylor:  
 chris@taylorcustom.com

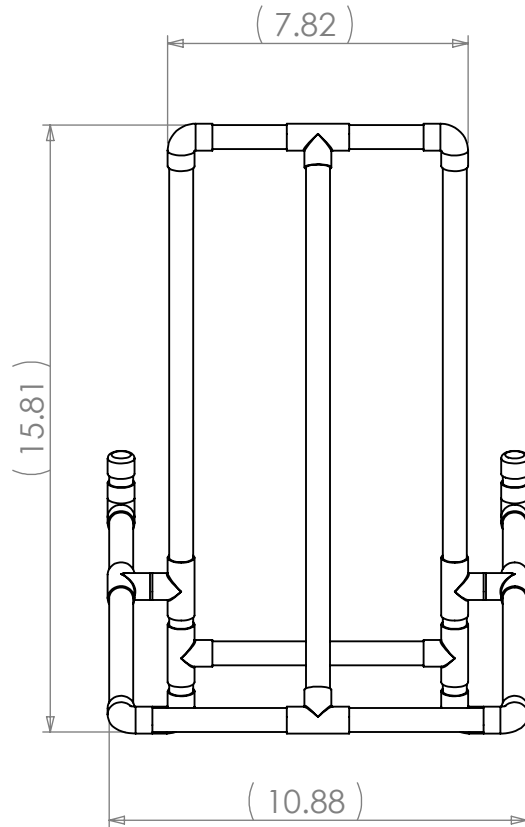
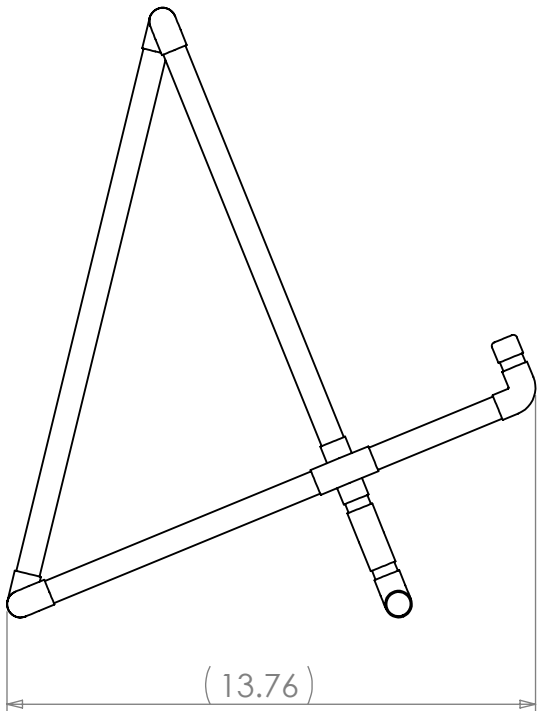
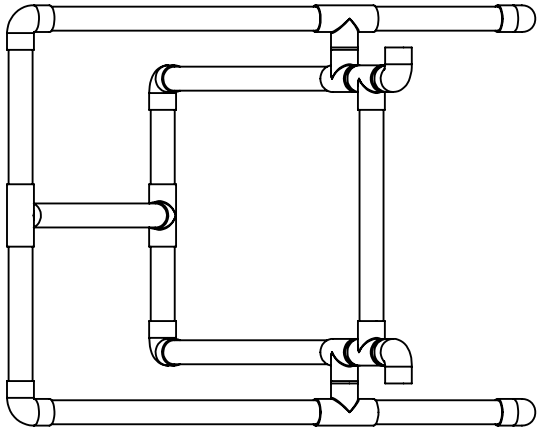
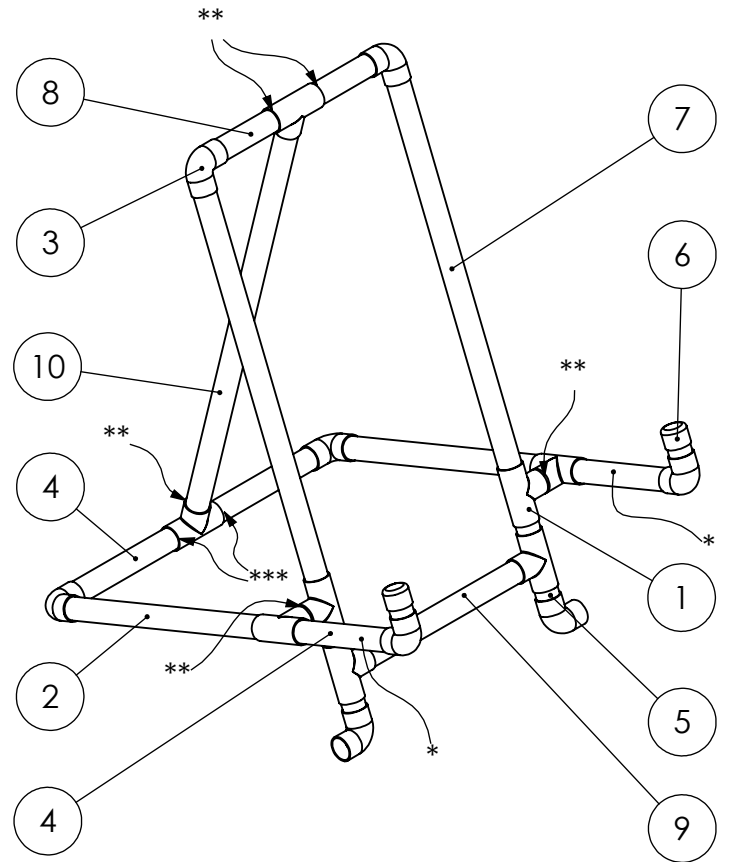
Notes:

1/2" copper tube (5/8" actual OD)

Adjust length of pieces marked with "\*" to accomodate larger guitars.

Joints marked with "\*\*" do not get soldered

Joints marked with "\*\*\*" get soldered after completed stand is assembled in the position shown



ITEM NO.	PART	LENGTH (in)	QTY.
1	1/2in tee		8
2	05_tube	08.5	2
3	1/2in ell		8
4	05_tube	04.5	4
5	05_tube	01.25	8
6	1/2in cap		2
7	05_tube	12	2
8	05_tube	03	2
9	05_tube	06.5	1
10	05_tube	15	1